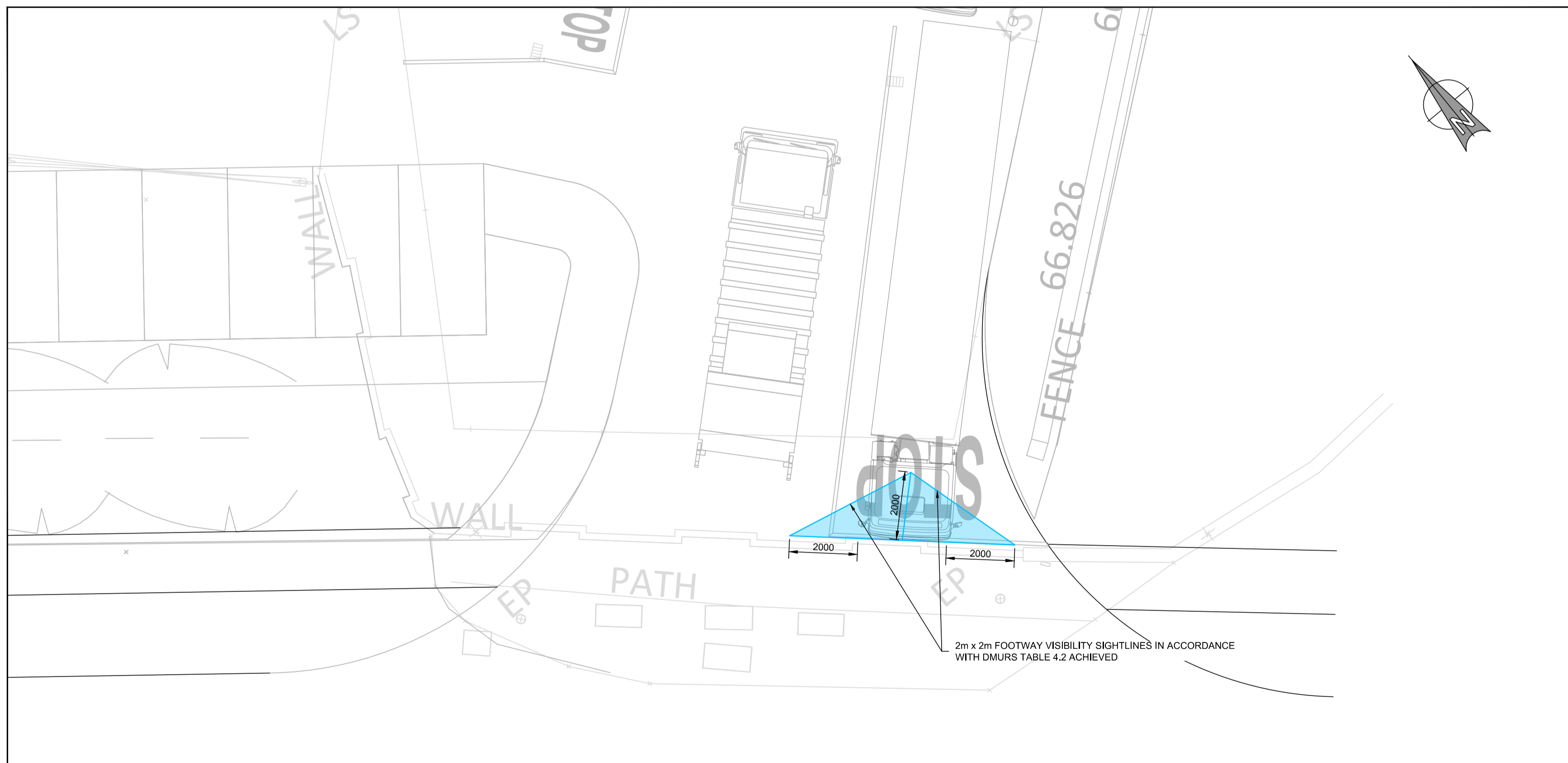
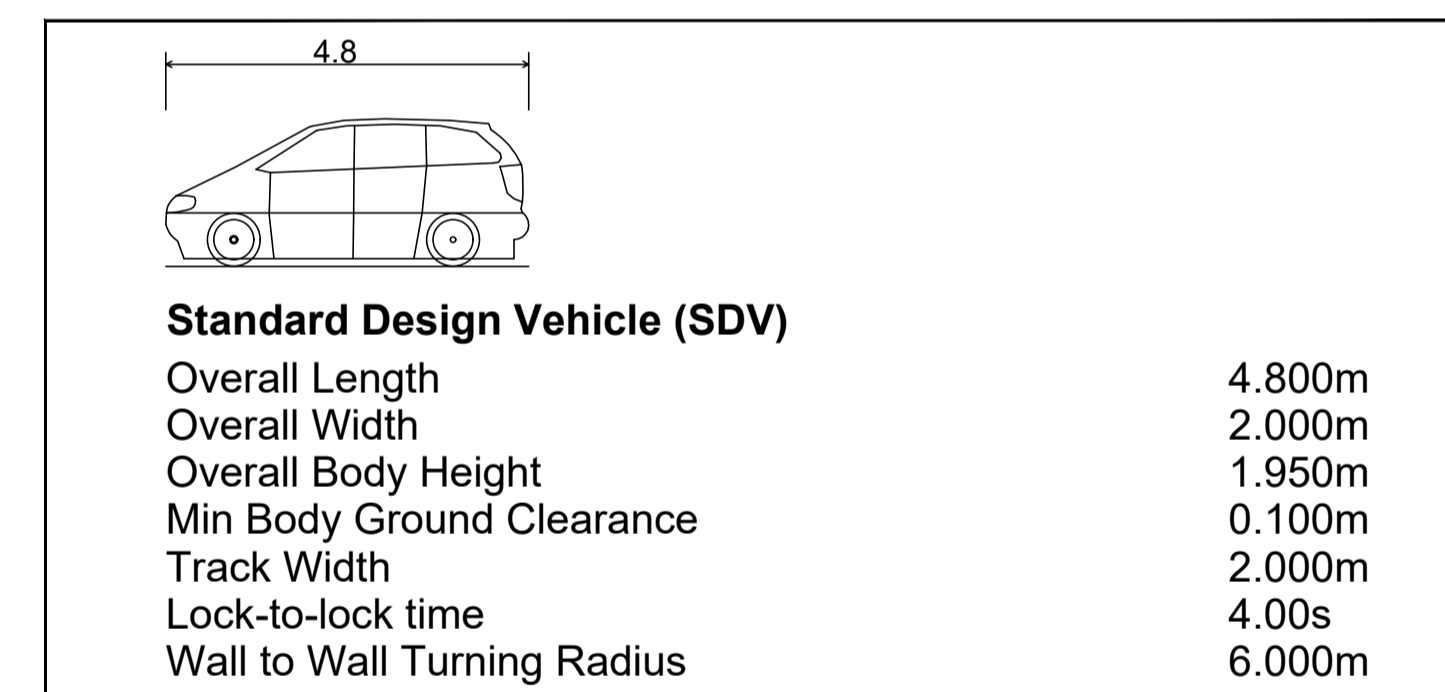
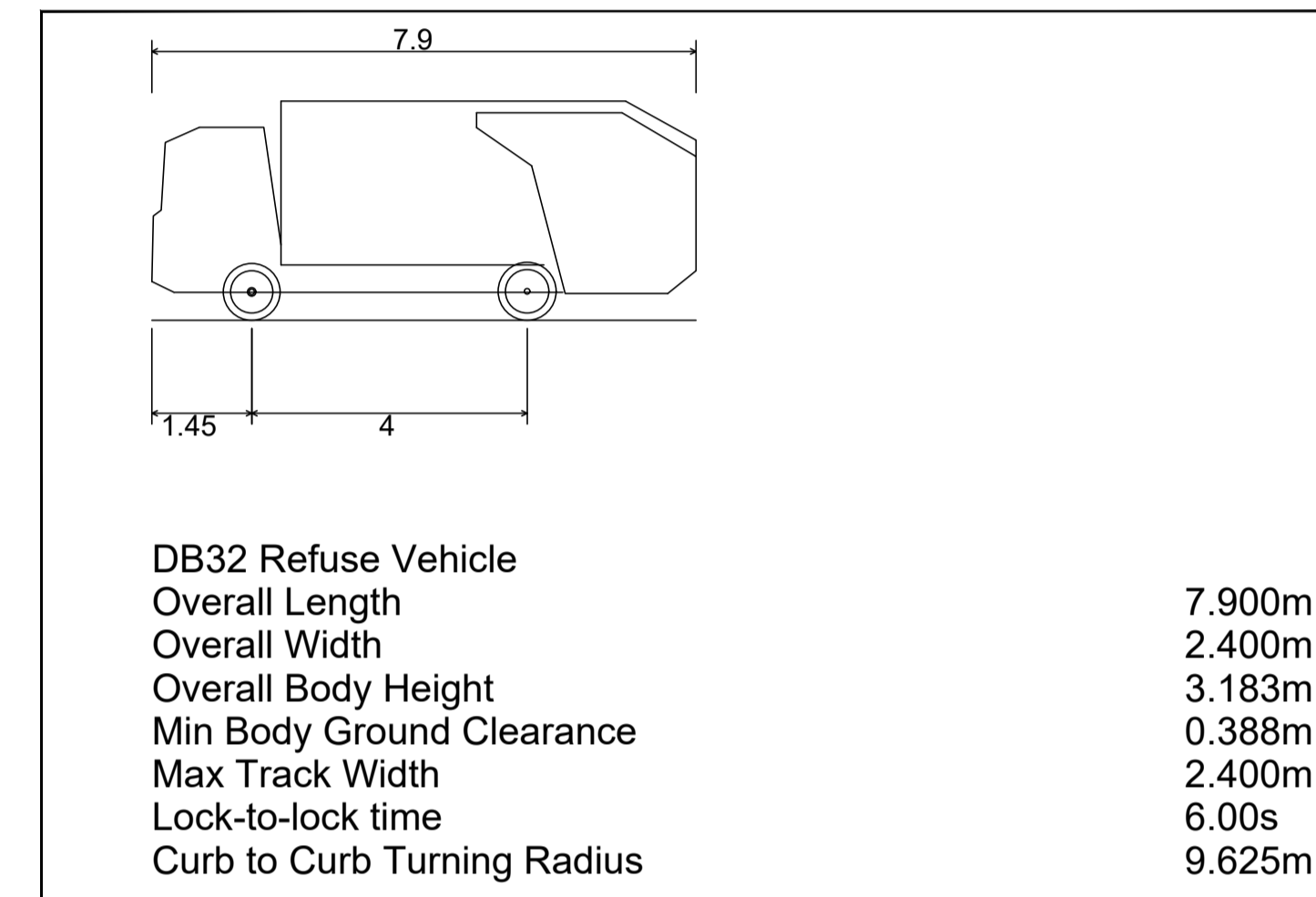
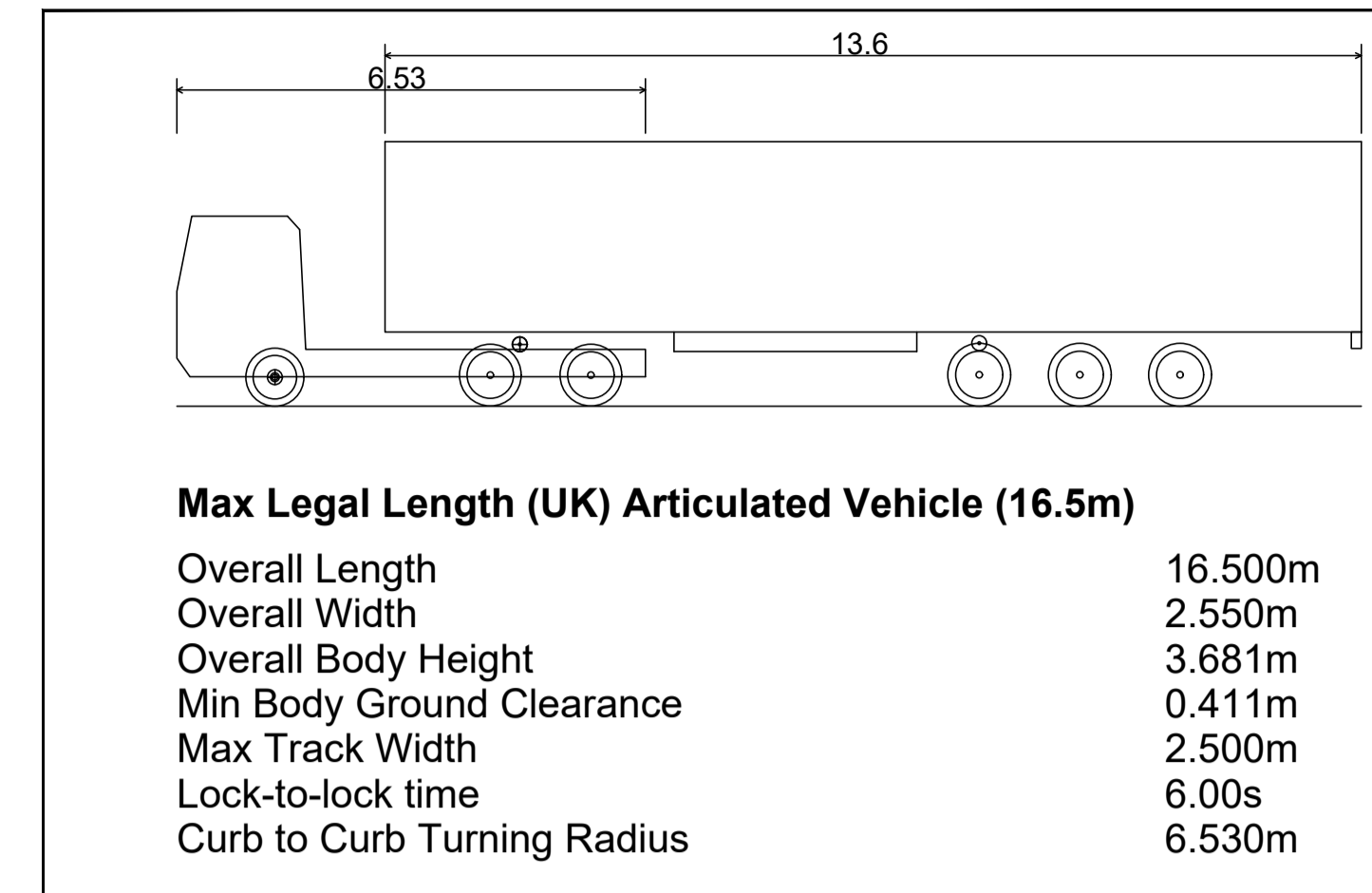


VISIBILITY SIGHTLINES AT ENTRANCE
SCALE 1:250



EXISTING FOOTWAY VISIBILITY SIGHTLINES AT ENTRANCE
SCALE 1:100



INFORMATION

© ORS
This drawing and any design hereon is the copyright of the Consultants and must not be reproduced without their written consent. All drawings remain the property of the Consultants.

Figured dimension only to be taken from this drawing. All dimensions to be checked on site. Consultants to be informed immediately of any discrepancies before work proceeds.

REV NO:	DATE:	REVISION NOTE:	DWN BY:	CKD BY:
P01	04/12/2023	ISSUED FOR PLANNING	LH	AK

CLIENT:	BEAUPARK UTILITIES LIMITED		
PROJECT:	PROPOSED WASTE PROCESSING FACILITY AT BALLYMOUNT, DUBLIN 24.		
TITLE:	VISIBILITY SIGHTLINES AT PROPOSED ENTRANCE JUNCTION		
DRAWN:	CHECKED:	APPROVED:	JOB NO:
LH	AK	MH	221244
DATE:	SCALE:	DRAWING NO:	REV:
28/11/2023	AS SHOWN	221244-ORS-ZZ-00-DR-TR-731	P01

Mullingar | Dublin | Galway | Donegal | Cork
T: +353 1 5242060 | W: www.ors.ie | E: info@ors.ie
ISO 9001:2015 QUALITY ASSURED COMPANY